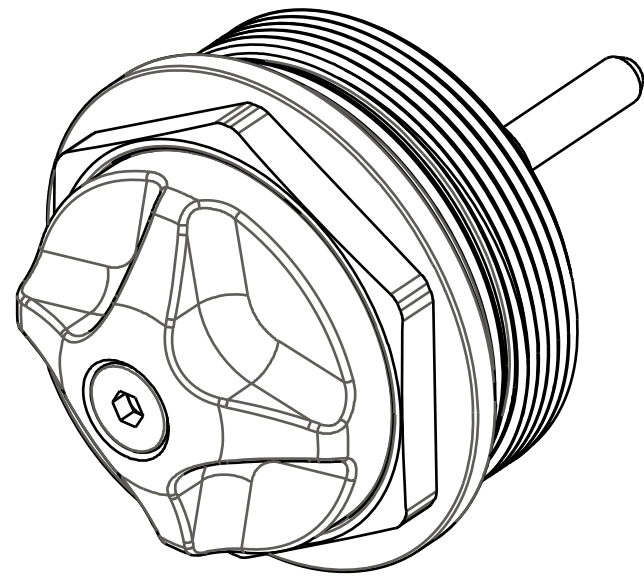


- PROPRIETARY -
 THIS DOCUMENT CONTAINS CONFIDENTIAL, PROPRIETARY INFORMATION
 THAT IS FOX PROPERTY. DO NOT DISCLOSE TO OR DUPLICATE
 FOR OTHERS EXCEPT AS AUTHORIZED BY FOX.



TORQUE:
 11±3 IN.LB.

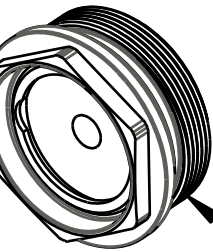
GREASE:
 THIN LAYER
 OF SLICK HONEY

GREASE:
 THIN LAYER
 OF SLICK HONEY

019-01-055
 Screw [M3 X 8mm] Socket Flathead, Patchlock

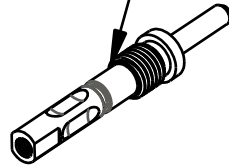


210-22-214
 Knob, Rebound, 07 32X, Red Ano

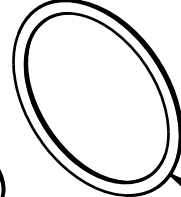


039-00-071
 Spring: Detent Wire, Rebound

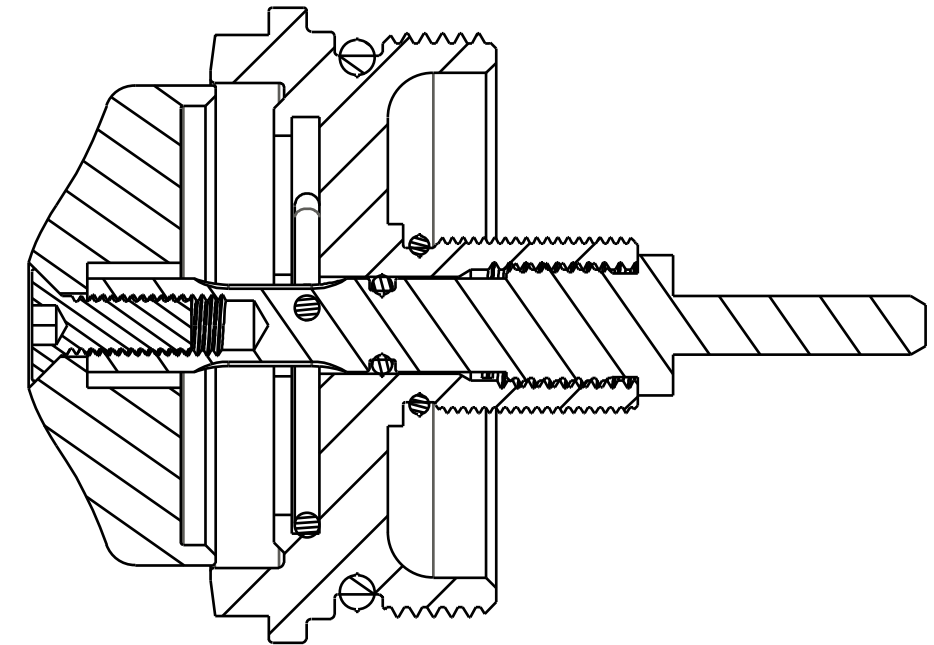
210-22-215
 Topcap Body, 07 32 130 X



029-08-029
 O-Ring [7.0MM ID x 1.0MM CS]



029-03-022-A
 O-Ring [(-022) .070 C.S. X 0.989 ID]



FOX FOX Factory, Inc.

130 Hangar Way, Watsonville, CA 95076 USA, Ph 831-768-1100, Fax 831-768-9312

2011 32 TerraLogic
 Topcap Assy

SIZE B	PART NO. 820-05-041-KIT
PLOT SCALE 1.00:1	SHEET 1 OF 1